

# The E-Class Saloon



Mercedes-Benz







## Made to win the day.

Master every task. The new E-Class Saloon offers all you need to do so: space, comfort, safety and pioneering innovations. The more dynamic design, carefully considered safety features, a digital cockpit, MBUX and sophisticated comfort features set new benchmarks in the luxury segment.



## Space for a sense of assurance.

A sportily elegant rear end and a high level of functionality: the new E-Class Saloon is an absolute eye-catcher with its broad shoulders and high-quality rims.





## High performance.

High-quality materials, innovative technology and even greater comfort: the interior of the new E-Class Saloon has everything that makes your daily life better. The centrepiece is the digital cockpit: the high-resolution multimedia display makes the vehicle as intuitive to operate as a smartphone.



# Ahead in safety.

As a pioneer in matters of safety, Mercedes-Benz has always played an important role. And this experience is apparent in the new E-Class Saloon as well. A host of ex-factory assistance and safety systems look out to ensure that you look out.









## Unbeatable comfort.

The new E-Class Saloon is practically unbeatable in matters of comfort. Massage seats, air cooling, first-class sound provided by the Burmester® surround sound system or the ambient lighting sometimes make you forget that you are sitting in a car. Thanks to the ENERGIZING packages, which create a bundle of the features that make you feel best.





## MBUX.

An E-Class Saloon that wants to get to know you. Thanks to intelligent MBUX with natural voice control, your vehicle adapts to your needs and knows what is important to you. With the digital high-resolution multimedia displays, which can be customised, you navigate everyday life with aplomb.



## MBUX Augmented Reality Navigation.

To enable you to find your way in complex traffic situations, MBUX Augmented Reality Navigation connects the virtual world with the real world. The technology incorporates graphical navigation instructions and traffic information into live images, so helping you to reach your destination quickly, safely and stress-free.



## MULTIBEAM LED headlamps.

The adaptive MULTIBEAM LED headlamps with individually controlled LEDs adapt to the traffic situation. ULTRA RANGE increases the range of the main beams to the permitted maximum.



## New rims.

Superior on the road. The new modern rim designs give the new E-Class Saloon a scaled-back, contemporary style.



## Burmester® surround sound system.

The unique sound systems from Burmester® provide first-class surround sound in the new E-Class Saloon. This sound can even be optimised by seating area for the front or rear seats. As a result, you enjoy an even more intensive listening experience.

## Ambient lighting.

Showcase the interior according to your personal preferences or current mood. The 64 colours of the ambient lighting create exciting colour schemes, which can alternate dynamically or illuminate several areas in different colours.

## AVANTGARDE.

Individuality and sportiness as standard: the base version of your E-Class already comes with the attractive AVANTGARDE exterior. It clearly accentuates the dynamism and the elegance of your vehicle. The interplay of all design elements results in a vehicle you want to own.



## EXCLUSIVE.

Demonstrate that you care strongly about elegance and prestige: with the EXCLUSIVE exterior, your focus is on classic Mercedes-Benz design and on stylish chrome touches. The interplay of all elements conveys a classy overall impression.





## AMG Line.

Demonstrate that you care strongly about sportiness: with the discrete styling of the AMG Line, your focus is on modern design and striking dynamics. The interplay of all elements conveys an expressive overall impression. The lowered suspension clearly underscores this effect – and offers lots of driving fun to boot.



## Night package.

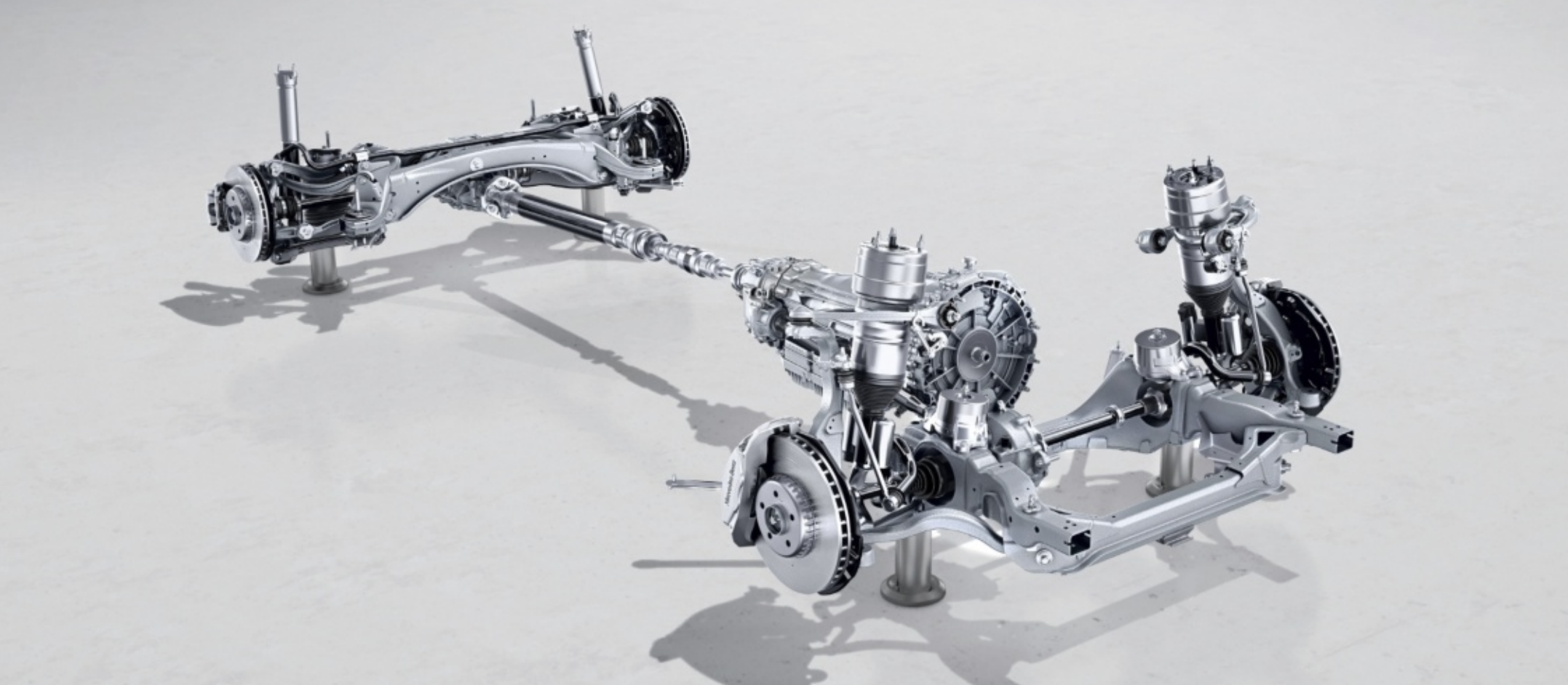
With the Night package, your sporty exterior looks even more expressive. Numerous elements sport a black or high-gloss black finish. Depending on the paintwork, this creates contrasts or flowing transitions. Whichever you choose: there are always clear benefits in terms of individuality.





## Hybrid initiative.

Intelligent hybrid technologies with economical combustion engines and efficient electric drive units ensure lower emissions. As a result, you can now already drive through the city centre without local emissions and have no need to compromise in terms of comfort on long journeys.



## AIR BODY CONTROL.

AIR BODY CONTROL allows you to choose custom settings for the suspension of the new E-Class Saloon. Totally in line with your preferences. Be it comfortable or sporty: driving fun is always on board.

# Made to win the night.

The Mercedes-AMG E-Class Saloon.

Every Mercedes-AMG is a masterpiece in its own right, with an unmistakable character. What unites our performance vehicles and sports cars is their irrepressible sporting spirit. Their passion for top performance. It is generated at the point where engineering skill meets a very special attitude: the spirit of AMG. We believe that you have to keep on challenging limits in order to achieve new goals. We accept nothing as a given. Because limits are imposed by people, and it's also people who can overcome them. It's this attitude that enables us to achieve outstanding performance for the race track – and for the road.

Welcome to the world of AMG.

[www.mercedes-amg.com](http://www.mercedes-amg.com)

**AMG**  
DRIVING PERFORMANCE





D S PU 1013

# Technical data.

Displacement (cc)
Rated output <sup>1</sup> (kW [hp] at rpm)
Acceleration from 0 to 100 km/h (s)
Top speed (km/h)
Fuel consumption <sup>4</sup> (l/100 km)
Urban
Extra-urban
Combined
Combined CO <sub>2</sub> emissions <sup>4</sup> (g/km)
Emissions class <sup>5</sup> /efficiency class <sup>6</sup>

Displacement (cc)
Rated output <sup>1</sup> (kW [hp] at rpm)
Acceleration from 0 to 100 km/h (s)
Top speed (km/h)
Fuel consumption <sup>4</sup> (l/100 km)
Urban
Extra-urban
Combined
Combined CO <sub>2</sub> emissions <sup>4</sup> (g/km)
Emissions class <sup>5</sup> /efficiency class <sup>6</sup>

## Petrol engines

E 200	E 200 4MATIC	E 300	E 450 4MATIC	E 300 e	E 300 e 4MATIC
1.991	1.991	1.991	2.999	1.991	1.991
145 [197] / 5.500-6.100	145 [197] / 5.500-6.100	190 [258] / 5.500-6.100	270 [367] / 5.500-6.100	155[211]/5.500-5.500 90[122]/2.500 kW	155[211]/5.500-5.500 90[122]/2.500 kW
7,5	7,6	6,2	5,0	5,7	5,8
240	232	250 <sup>3</sup>	250 <sup>3</sup>	250 <sup>3</sup>	245
9,4-8,9	9,6-9,2	9,4-8,9	11,5-10,9		
5,7-5,2	6,1-5,6	5,8-5,3	6,4-6,1		
7,1-6,6	7,3-7,0	7,1-6,6	8,3-7,9	1,8-1,8/167.0	2,0-1,9/162.0
162.0-151.0	168.0-159.0	162.0-151.0	189.0-181.0	41.0-41.0	45.0-44.0
Euro 6D-ISC-FCM / B	Euro 6D-ISC-FCM / C	Euro 6D-ISC-FCM / B	Euro 6D-ISC-FCM / C	Euro 6D-ISC-FCM/A+	Euro 6D-ISC-FCM / A+

## Plug-in hybrid (petrol engines)

## Diesel engines

E 200 d	E 220 d	E 220 d 4MATIC	E 400 d 4MATIC	E 300 de	E 300 de 4MATIC
1.598	1.950	1.950	2.925	1.950	1.950
118 [160] / 3.800-3.800	143 [194] / 3.800-3.800	143 [194] / 3.800-3.800	243 [330] / 3.600-4.200	143[194]/3.800-3.800 90[122]/2.500 kW	143[194]/3.800-3.800 90[122]/2.500 kW
8,4	7,3	7,5	4,9	5,9	5,9
226	240	239	250 <sup>3</sup>	250 <sup>3</sup>	235
5,4-5,2	6,0-5,7	6,5-6,1	8,4-8,1		
4,3-4,0	4,3-4,1	4,7-4,5	5,2-4,9		
4,7-4,4	4,9-4,7	5,4-5,1	6,4-6,1	1,4-1,4/155.0	1,6-1,6/166.0
124.0-117.0	130.0-123.0	141.0-134.0	168.0-161.0	38.0-38.0	42.0-42.0
Euro 6D-ISC-FCM / A+	Euro 6D-ISC-FCM / A	Euro 6D-ISC-FCM / A	Euro D-ISC-FCM / B	Euro 6D-ISC-FCM/A+	Euro 6D-ISC-FCM/A+

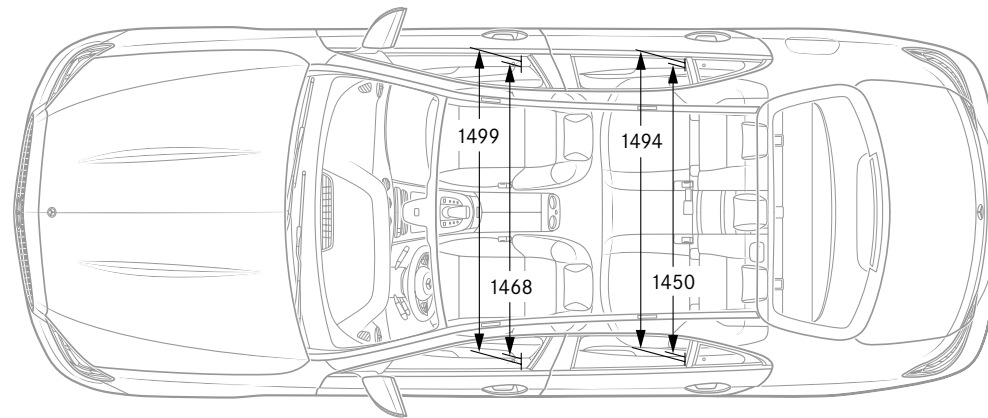
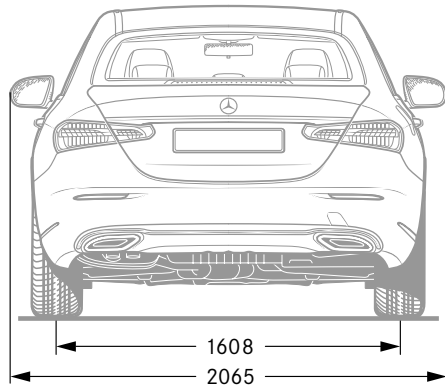
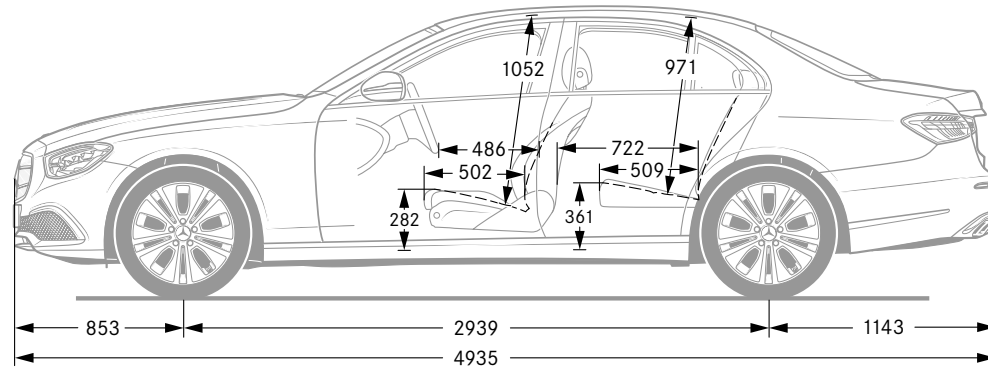
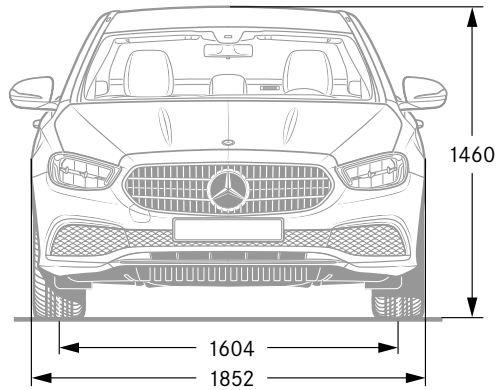
## Plug-in hybrid (diesel engines)

**The best for the engine:**  
Mercedes-Benz genuine engine oils.

<sup>1</sup> Information about the rated output according to Regulation (EC) No. 715/2007 in the currently valid version. <sup>2</sup> Available temporarily. <sup>3</sup> Electronically governed. <sup>4</sup> The stated figures were determined according to the prescribed measurement method. They constitute the "NEDC CO<sub>2</sub> figures" pursuant to Article 2 No. 1 Implementing Regulation (EU) 2017/1153. Fuel consumption figures have been calculated on this basis. More information about the official fuel consumption and the official specific CO<sub>2</sub> emissions of new passenger cars is available in the publication entitled "Leitfaden über den Kraftstoffverbrauch, die CO<sub>2</sub>-Emissionen und den Stromverbrauch neuer Personenkraftwagen" ["Guidelines concerning the fuel consumption, CO<sub>2</sub> emissions and electricity consumption of new passenger cars"], available free of charge at all retailers and from Deutsche Automobil Treuhand GmbH (www.dat.de). The figures are not based on an individual vehicle and do not constitute part of the product offer; they are provided solely for purposes of comparison between different vehicle models. The figures will vary according to the optional equipment selected. <sup>5</sup> Information only valid within the European Union. May vary from country to country. <sup>6</sup> Determined on the basis of the measured CO<sub>2</sub> emissions, taking into consideration the vehicle mass. Only valid for Germany.

Further technical data may be found at [www.mercedes-benz.com.cy](http://www.mercedes-benz.com.cy)

# Dimensions.



All figures in millimetres. The pictured dimensions are mean values. They are valid for vehicles in basic specification and in unladen condition.



# SPORT — F O R — GOOD

Mercedes-Benz AG is one of the founding partners of the worldwide “Laureus Sport for Good Foundation”, which was established in 2000. It is the Mercedes-Benz brand’s most important social initiative. Laureus Sport for Good supports children and young people in need through social sports projects, opening up new perspectives and imparting important values such as team spirit, respect and determination. “Change the Game for Kids” is our mission statement which we wish to share with you.

**Please note:** Changes may have been made to the product since the editorial deadline on 24.07.2020. The manufacturer reserves the right to make changes to the design, form, colour and the product specification during the delivery period, provided these changes, while taking into account the interests of the seller, can be deemed reasonable with respect to the buyer. Where the seller or the manufacturer uses symbols or numbers to describe an order or the

subject of an order, no rights may be derived solely from these. The illustrations may show accessories and items of optional equipment which are not part of standard specification. For the definitive latest information, please contact your nearest authorised Mercedes-Benz AG dealer.