



RENAULT
Passion for life

New
Renault **KADJAR**





An athletic appearance

An SUV through and through, the new Renault KADJAR proudly sports its adventurous look and powerful design. Evidencing its authentic personality, its chrome-finish grille surrounded by LED lights* really make New Kadjar stand out. At the rear, fog lights keep watch: dust, mist, drizzle, nothing will stop you. Featuring new front and rear skid plates, the 19" alloy wheels^ are ready to take up any kind of terrain. And the shark fin antenna† on the roof combines perfect aerodynamics and unique style.

*Available from S Edition

^Available from Iconic

†Shark fin antenna from Iconic









On-board comfort

Explore every detail of your New Kadjar's interior comfort. With its contemporary environment, perfect ergonomic design, new upholstery and chrome-finish trim, you'll enjoy every moment you spend inside it. Comfortably installed at the controls of your New Kadjar, you'll be ready to appreciate the most demanding of roads. The restyled dashboard, the back-lit central console and numerous redesigned details will make you want to embrace adventure in a whole new way.







Ready for all discoveries

New Renault KADJAR excels on the most improbable terrain. A truly seasoned adventurer, it adapts to different driving conditions, with the option to easily switch from two-wheel to four-wheel drive with an intuitive three-position dial: 2WD, Lock or Auto*. With its raised ground clearance, chrome-finish side protection fittings and front and rear skid plates, it will take on challenging terrain just as easily as it does your everyday journeys. New Kadjar will offer you comfort regardless of the road ahead.

Intuitive 2W/4W dial

Simply turn it to adapt the traction system to your driving conditions. Three options available:

- **2WD:** two-front-wheel drive
- **Lock:** four-wheel-drive continuously
- **Auto:** automatic selection of two-wheel or four-wheel drive, depending on driving conditions

* Available soon on GT Line dCi 150 engines only.



4x4





Adaptive instinct

You'll also find plenty of spaces inside your new Renault KADJAR. By simply folding down the rear bench seat*, in the flat position you'll enjoy substantial loading volume that is easy-to-use when the floor of the boot is in the raised position. Mountain bikes, rucksacks, hiking equipment and accessories letting you take on life. And your passengers will be spoiled: the large cup holders in the front, together with the air-conditioning vents and USB ports in the rear* will change the whole travel experience for them. And as the driver, you'll be nicely cradled in your heated adjustable seat with sliding armrests, ready to enjoy the most demanding of roads. Yes to adventure – but with everything you need to enjoy it to the full!

*Available from Iconic





Efficiency without compromise

The engines powering the Renault KADJAR are advanced, reliable and improved fuel consumption. Fitted with the Stop & Start system with regenerative braking, they include a host of technologies (downsizing, friction reduction, latest-generation injection systems) that elevate them to exemplary levels of performance and consumption, all without sacrificing your driving pleasure.

TCe 140 **Flexibility and control**

Flexible and responsive from low rpm, this petrol engine deliver power with its turbo function and economy with low fuel consumption.

Blue dCi 115

The Renault Kadjar benefits from the latest Blue dCi diesel engines which are equipped with a system to reduce polluting Nitrogen Oxide vehicle emissions by injecting an urea-based fluid, AdBlue®, into the exhaust system. A dashboard message will remind you when the AdBlue® needs topping up via specific Adblue filling cap located next to the usual Diesel fuel filler cap. A full tank of Adblue will last for 6 full tanks of Diesel. The Blue dCi 115 engine features overboost providing additional power and torque when accelerating.

TCe 160

This latest generation petrol engine from Renault feautres technologies to help increase torque and reduce CO₂. As a result the TCe 160 delivers driver pleasure around town or on motorway routes.

EDC gearbox **Comfort, moderate** **consumption and technology**

This 7-speed automatic dual-clutch gearbox offers smooth, jerk-free gear changes Dynamic and responsive, the EDC responds almost instantly to the slightest driver input. In terms of economy, its fuel consumption is similar to that of a mechanical gearbox. Available with the Blue dCi 115 engine, the EDC gearbox is ideal for an enjoyable and relaxed drive in all conditions.





The world at your fingertips

Integrated into the new central console, the R-LINK2[^] multimedia system's 7" touchscreen is highly ergonomically-designed and intuitive. When connected, R-LINK 2 gives you access to a wide range of services such as TomTom[™] Traffic* so you get the latest traffic information in real time. With Android Auto^{™**} and Apple CarPlay^{™**}, easily access your smartphone's driving-compatible apps directly from the R-LINK 2 screen. With the MY Renault^{**} application connected to your R-LINK 2, take advantage of smart services wherever you are and at any time (to find where you've parked your Renault Kadjar, for example!). R-LINK 2 optimises the on-board experience and delivers a fluid, simple and customised multimedia experience.

*For a limited period.

[^]Available from Iconic

** Compatibility: An Android phone running Android 5.0 (Lollipop), an iPhone no earlier than iPhone 5 & iOS7.1. Connecting a smartphone to access Android Auto[™] and Apple CarPlay[™] should only be done when the vehicle is safely parked. Drivers should only use the system when it is safe to do so and in compliance with the requirements of The Highway Code. Drivers should be aware of the potential of hands-free technology to distract a driver's attention from the road, preventing them from having full control of the vehicle.

Controlled trajectories

To make sure that you have as much control as possible during each and every one of your adventures, 2 cameras, 12 sensors and a radar keep a constant watch on your movements. The speed alert system with traffic sign recognition* system helps you adapt your driving to road sign data captured by the camera. A visual alert is shown on your dashboard and suggests saving it as the value for the speed limiter.

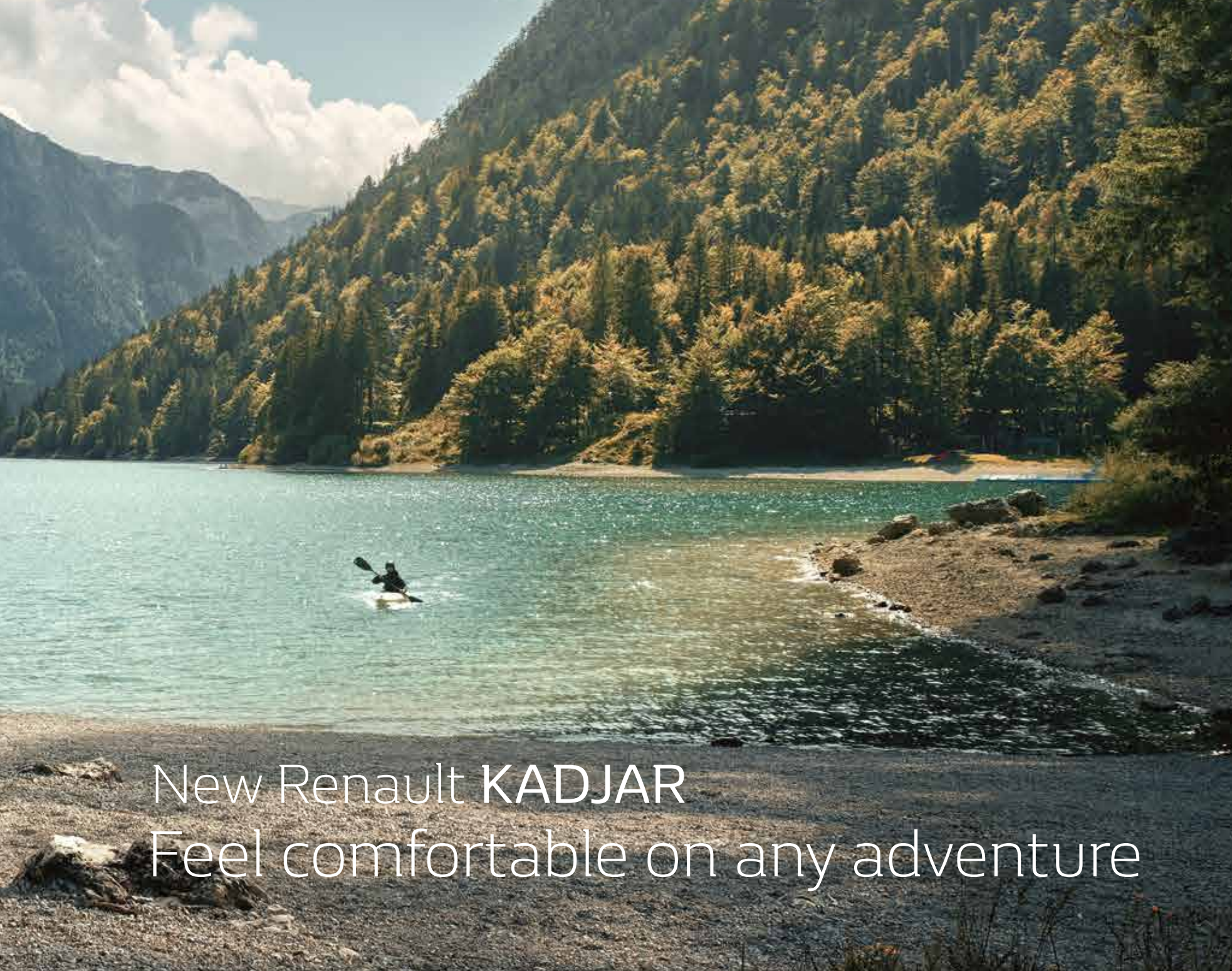
The lane departure warning^ will let you know when you have strayed across a continuous broken line without indicating.

*Available on GT Line only

^Available from Iconic







New Renault **KADJAR**
Feel comfortable on any adventure

Standard features

PLAY



ATHENA - 17" alloy wheels



Dark Carbon fabric upholstery



Driving Assistance

- ABS with EBD – Electronic brake distribution and emergency brake assist
- Driver and passenger adaptive front airbags (passenger airbag can be disabled)
- Airbags - curtain front and rear
- Airbags - driver's two stage adaptive airbag
- Airbags - Front lateral
- Automatic headlights
- Cruise control with speed limiter
- Deadlocking and immobiliser
- Eco-Mode
- Electrical Parking Brake
- Front fog lamps with cornering function
- Gear Change Indicator
- Hill start assist
- Height adjustable drivers seat belt with 3 points rear centre seatbelt
- Insurance approved (Category 1) alarm system and immobilizer

- ISOFIX Child seat anchorage points on rear outer seats
- Integrated C Shape Indicators with side repeaters
- Rear parking sensors
- R.A.I.D (Renault Anti Intruder Device) auto closure >6mph
- Seats - height adjustable front seatbelts with double pretensioners
- Side impact protection bars
- Tyre pressure monitor system
- 3 points rear center seatbelt
- Tyre Inflation Kit
- Tyre Pressure Monitor

Exterior

- 17" alloy wheels – ATHENA
- Body side moulding
- Door handles body coloured
- Door mirrors - body coloured shell
- Windows chrome surround
- LED DRL - Daytime running lights

Interior

- Back-illuminated central console
- Daylight/nightlight rear-view mirror
- Display - digital speedometer (TFT Screen)
- Heated rear screen
- Sliding front centre armrest
- Windows - tinted rear and tailgate
- 60:40 split folding seats
- Cloth Upholstery – Dark Carbon Fabric

Comfort and Convenience

- Accessory Power point
- Adjustable dashboard illumination
- Automatic dual zone climate control
- Driver – height adjustable seat
- Electric Front windows
- Electric Rear Windows
- Exterior temperature indicator
- Floor mats – front and rear
- Halogen headlights
- Heated rear windscreen

- Socket front – 12v socket

- Multi-functional trip computer
- Steering wheel – power assisted, height, rake and reach adjustable
- Storage – glove box
- Trip computer and rev counter
- Windscreen wipers – Automatic with variable speed adjustment
- 3 button retractable key

Connectivity and Sound System

- 7" Screen with smartphone integration
- Bluetooth connectivity
- FM/ AM/DAB tuner, 4 x20W speakers Bluetooth® audio streaming and hands-free calls, USB and AUX sockets

Standard features

ICONIC (additional equipment to Play)



ZEUS - 19" diamond cut alloy wheels



Black Fabric upholstery



Driving Assistance

- Automatic High and Low Beam
- Front and rear parking sensors with a rear parking camera
- Lane Departure Warning

Exterior

- 19" Diamond Cut 'Zeus' alloy wheels
- Body side mouldings with chrome inserts
- Electric folding automatic and heated door mirrors
- Extra tinted windows
- Roof rails – Chrome look
- Shark fin Antenna

Interior

- Synthetic Leather and Cloth upholstery
- Passenger height adjustable seat
- Synthetic leather steering wheel

Comfort and Convenience

- Automatic high/low beam
- Driver sunblind with illuminated mirror and ticket holder
- Driver – height and lumbar adjustable seat
- Door Mirrors - Electrically adjustable, heated and folding
- EasyLife quick folding rear seats
- Keycard - hands-free with walk away lock function
- Rear passenger air vents
- Multi positional boot floor

Connectivity and Sound System

- R-Link 2 multimedia system: 7" touchscreen, TomTom™ LIVE services with Western European Mapping, FM/AM/DAB tuner, Bluetooth® audio streaming and hands-free calls, USB and AUX sockets, voice control, vehicle applications
- Two rear USB sockets
- 4x35W speakers with 3D sound

Standard features

S EDITION (additional equipment to Iconic)



ZEUS - 19" diamond cut alloy wheels



Black fabric upholstery with blue top-stitching



Driving Assistance

- LED high & low beam headlights with LED turn indicators
- LED Fog lamps with cornering function

Exterior

- 19" Diamond Cut 'Zeus' alloy wheels
- Chrome finish fog light surrounds
- Fixed glass panoramic sunroof
- Saturn Grey front and rear skid plates
- Side and boot kick plates

Interior

- Dark Blue 3D TEP fabric with synthetic leather upholstery with Blue top-stitching
- Auto-dimming rear-view mirror

Connectivity and Sound System

- R-Link 2 multimedia system: 7" touchscreen, TomTom™ LIVE services with Western European Mapping, FM/AM/DAB tuner, Bluetooth® audio streaming and hands-free calls, USB and AUX sockets, voice control, vehicle applications
- Two rear USB sockets
- 4x35W speakers with 3D sound

Standard features

GT LINE (additional equipment to S Edition)



POSEIDON - 19"



Dark leather upholstery



Driving Assistance

- AEBS – Active Emergency Braking
- Blind spot warning with lateral sensors
- Over speed and traffic sign recognition
- Flank Protection

Exterior

- 19" Diamond cut 'POSEIDON' alloy wheels
- Front Grille with chrome enrichment
- Adamantium front & rear skid plates

Interior

- Carbon Black Leather Upholstery with synthetic leather head rest
- Leather steering wheel

Comfort and Convenience

- Hands Free Parking
- Heated front seats and electrically adjustable driver's seat (fore/aft, height and recline)
- Driver and passenger cushion length extender

Connectivity and Sound System

- BOSE™ energy efficient sound system: 7 speakers with a digital amplifier + 1 Subwoofer
- R-Link 2 multimedia system: 7" touchscreen, TomTom™ LIVE services with Western European Mapping, FM/AM/DAB[†] tuner, Bluetooth® audio streaming and hands-free calls, USB and AUX sockets, voice control, vehicle applications

Colours

Iron Blue (3) (RQH)



Oural green (3) (DPY)



Flame Red (3) (NNP)



Cosmos Blue (2) (RPR)



Arctic White (3) (QNC)



Highland Grey (2) (KQA)



Titanium Grey (2) (KPN)



Diamond Black (2) (GNE)



Glacier White (1) (369)



	Glacier White (369)	Diamond Black (GNE)	Titanium Grey (KPN)	Highland Grey (KQA)	Cosmos Blue (RPR)	Oural Green (DPY)	Flame Red (NNP)	Arctic White (QNC)	Iron Blue (RQH)
Play	●	○	○	○	○	○	○	○	-
Iconic	●	○	○	○	○	○	○	○	-
S Edition	●	○	○	○	○	-	○	○	○
GT-Line	●	○	○	○	○	○	○	○	○

● = Standard (therefore no cost) ○ = Optional - = Not available

Every effort has been made to ensure that the information, descriptions, and images were correct at the time of publication however images may not always reflect the exact version selected. It should be noted that limitations on screen do not permit the subtle paintwork shades on this page to be shown with absolute accuracy.

Accessory Packs:

Experience your New KADJAR to the max with our accessory packages*

EXPLORE PACK

Retractable tow bar and Euroride carrier for 2 bikes



PET PACK

Partition grille and All-in-one boot liner



Accessories

ILLUMINATED DOOR SILLS



SPORT PEDALS



ROOF BOX[‡]



*All accessories available to order individually. ‡The roof box requires roof bars.

Accessories

Experience your New KADJAR to the max with our accessories*

PREMIUM MATS



STANDARD BOOT LINER



ALL-IN-ONE BOOT LINER



WIRELESS PHONE CHARGER



REAR SEAT TABLET



KENWOOD DASHCAM

The on-board camera automatically starts recording as soon as the vehicle ignition is switched on.



INDIVIDUAL ACCESSORIES

STYLE

Sport pedals

Illuminated entry guards

PROTECTION

Standard boot liner

All-in-one boot liner

Kenwood Dashcam

TRANSPORT

Roof bars

Urban loader roof box

Retractable tow bar

ACCESSORY PACKS

Explore Pack - Retractable towbar and Euroride carrier for two bikes

Pet Pack - Partition grille and All-in-one boot liner

*All accessories available to order individually. Accessories are fitted post-production, and may have an impact on real world fuel (actual) consumption and CO₂ figures.



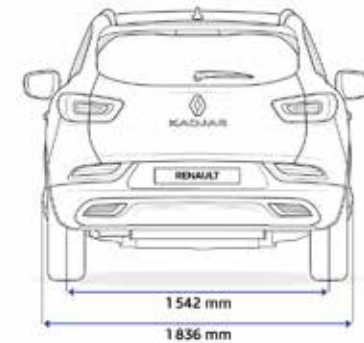
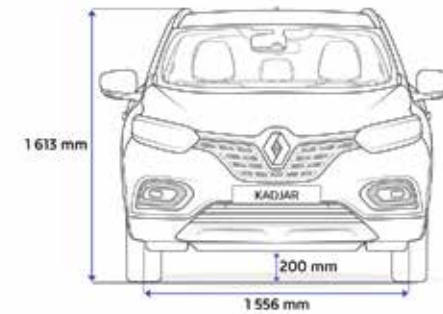
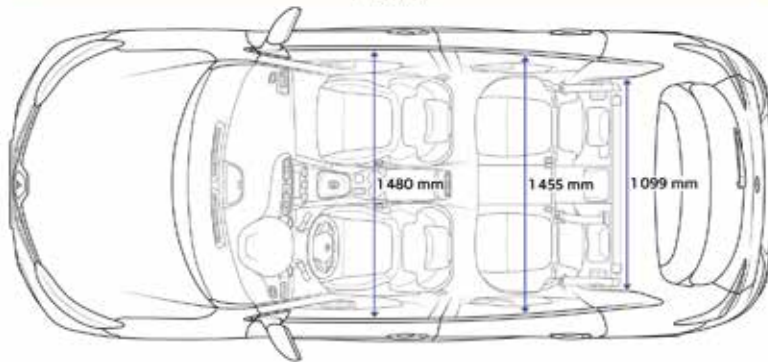
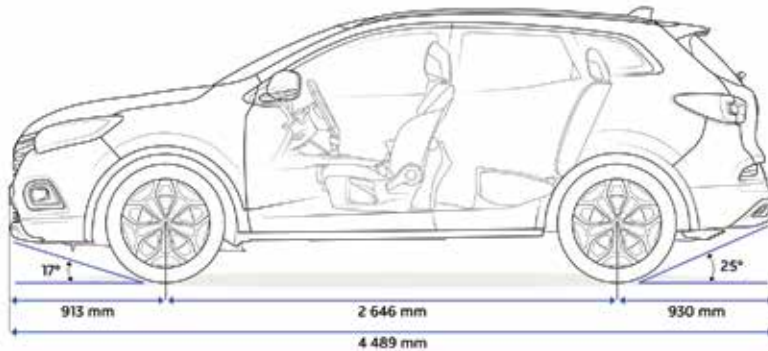


Technical Specification

	TcE 140	TcE 160	TcE 140 Auto EDC	Blue dCi 115	Blue dCi 115 Auto EDC
ENGINE					
Engine type	HR13	HR13	HR13	K9K	K9K
Emissions conformance	Euro 6 Dtemp	Euro 6 Dtemp	Euro 6 Dtemp	Euro 6 Dtemp	Euro 6 Dtemp
With Particulate Filter (FAP)	GPF (Gasoline particulate filter)	GPF (Gasoline particulate filter)	GPF (Gasoline particulate filter)	DOC + SCRf	DOC + SCRf
Induction Capacity (cc)	1333	1333	1332	1461	1461
Bore x Stroke	72.2 x 81.4	72.2 x 81.4	72.2 x 81.4	76 x 80.5	76 x 80.5
Maximum power - kw ISO	103 kW	117 kW	103 kW	85 kW	85 kW
Maximum Power - hp DIN	140	160	140	115	115
Maximum power - rpm	5000	5500	5000	3750	3750
Maximum Torque - Nm ISO	240	260	240	260	260
Maximum Torque (rpm)	1600	1750	1600	2000	2000
Fuel Type	Petrol	Petrol	Petrol	Diesel	Diesel
Injection type	Direct Injection	Direct Injection	Direct Injection	Common Rail	Common Rail
No. of Cylinders	4	4	4	4	4
No. of Valves	16	16	16	8	8
PERFORMANCE					
0- 62 mph - secs (0-100 km/h)	10.4	9.9	9.6	11.7	11.5
Maximum Speed mph (km/h)	126 (203)	130 (210)	126 (203)	117 (189)	117 (189)
Standing 1000m in seconds	30.9	29.6	30.8	33.5	33.4
FUEL CONSUMPTION* AND EMISSIONS (IN L/100KM AND G/KM)					
CO ₂ (g/km) (High - Low)	134 - 136	134 - 136	131 - 135	113 - 117	111 - 115
Combined - mpg (High - Low)	42.16 - 44.13	42.16 - 44.13	41.54 - 43.45	55.38 - 60.1	54.32 - 55.38
Combined - l/100 km (High - Low)	6.7 - 6.4	6.7 - 6.4	6.8 - 6.5	5.1 - 4.7	5.2 - 4.9
GEARBOX					
Number of forward gears	6	6	7	6	7
Manual / Automatic	M	M	A	M	A
BRAKING SYSTEM					
Type of braking system	Discs	Discs	Discs	Discs	Discs
ABS	Standard	Standard	Standard	Standard	Standard
EBD	Standard	Standard	Standard	Standard	Standard
Front Ø (mm) / width (mm)	296 / 26	296 / 26	296 / 26	296 / 26	296 / 26
Rear Ø (mm) / width (mm)	290 / 13	290 / 13	290 / 13	290 / 13	290 / 13
SUSPENSION					
Front	Pseudo Mac Pherson with lower triangle				
Rear	Torsion Beam				
STEERING					
Power assisted	Electric with variable assistance				
Turning circle between kerbs (m)	10.72m	10.72m	10.72m	10.72m	10.72m
WHEELS / TYRES					
Standard Wheel Size in inches	17 / 19	17/19	17/19	17 / 19	17 / 19
Spare wheel					
FUEL TANK CAPACITY					
Fuel tank capacity - Litres (Gallons)	55 (12.1)	55 (12.1)	55 (12.1)	55 (12.1)	N/A
WEIGHT					
Kerb Weight	1333	1333	1362	1428	1443
Gross Vehicle Weight	1889	1889	1918	1978	1994
Maximum Gross Train Weight	3389	3389	3418	3328	3344
Payload	2864	2864	2864	2864	2864
TOWING CAPACITY					
Max (Driver only) Towing weight = braked	1500	1500	1500	1350	1350
Max (Driver only) Towing weight = unbraked (17" / 19")	700	700	715	750	750
Maximum load weight on roof	72	72	72	72	72
SERVICING INTERVALS					
Service intervals	18,000 miles or 1 year whichever is the sooner				

*WLTP figures shown are for comparability purposes; only compare figures with vehicles tested to the same technical procedures. Actual real world driving results may vary depending on factors such as weather conditions, driving styles, vehicle load or any accessories fitted after registration. WLTP is a new test used for fuel consumption and CO₂ figures however until April 2020 the CO₂ figures are based on the outgoing (NEDC) test cycle which will be used to calculate vehicle tax on first registration.

Dimension diagrams



BOOT VOLUME

With inflation kit (VDA volume, dm ³)	472
With inflation kit (volume in litres)	527
Max. loading volume seats folded down (VDA volume, dm ³)	1,478

DIMENSIONED DRAWING (mm)

A	Wheelbase	2,646
B	Overall length	4,449
C	Front overhang	897
D	Rear overhang	906
E	Front track	1,556
F	Rear track	1,542
G	Overall width with/without door mirrors	1,836 / 2,058
H	Unladen height/with longitudinal roof bars	1,607/1,613
H1	Height with tailgate open (unladen)	2,069
J	Unladen boot sill height	761

K	Ground clearance	200
L	Knee room in 2 nd row	220
M	Front elbow width	1,480
M1	Rear elbow width	1,455
P	Headroom at 14° in 1 st row (front seats)	905
P1	Headroom at 14° in 2 nd row (rear seats)	910
Y	Interior width between wheel arches	1,099
Z	Max. loading length bench seat folded up/down	864/1,620
R/R1	Angles of front/rear bumpers in degrees	18/28

Extend the Renault Kadjar experience
at www.renault.com.cy

 Char Pilakoutas group

Contact Number
77 77 33 44

Although every effort has been made to ensure that the information contained within this brochure is as accurate and up to date as possible, Char Pilakoutas Auto Alliance Limited reserves the right to modify its models without notice, including their characteristics, specifications, equipment and accessories. Brochures inevitably become out of date or inaccurate in some respects, in that such characteristics, specifications, equipment, or accessories may be changed after the publication date given below and can differ from the descriptions given or the photos displayed. It is therefore necessary to check with your local Renault Distributor before purchasing any product that the characteristics, specifications, equipment or accessories of the vehicle on order are as advertised.

Photo credits: U. Heckmann, P. Giardino, Corbis, Getty Images, E. Haveric, Y. Brossard, A. Bernier, © Renault Marketing 3D-Commerce – Printed in EC – February 2019